



## DC lamps



Made in Switzerland

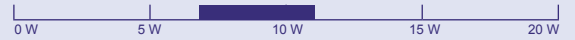


## PL - Lamps

PL 7 W - 4P / PL 11 W - 4P

Power class

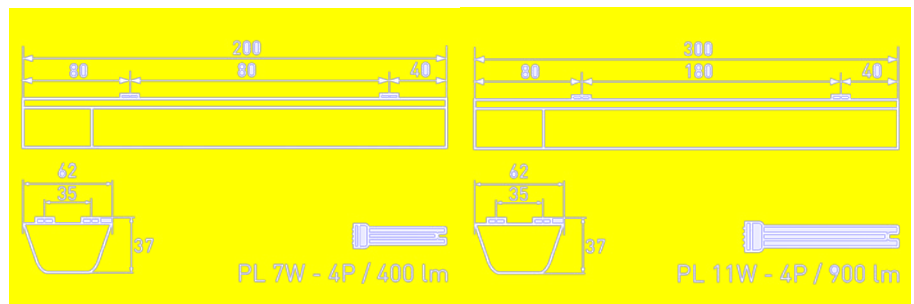
7 W - 11 W



PL lamps provide very high illumination levels at low power consumption. This high quality 12 (or 24) V DC lamp with integrated switch can be used directly in 12 (or 24) V battery or solar systems. Aluminium base, plastic coated, white - Acrylic lens.

### Features

- 12 (24) V DC Operation
- Extremely high illumination efficiency
- With integrated switch
- SwissMade



SH-No.:	130050	130051	130052	130053
Type	PL 7 W - 4P / 12 V	PL 7 W - 4P / 24 V	PL 11 W - 4P / 12 V	PL 11 W - 4P / 24 V
Nominal voltage	12 V DC	24 V DC	12 V DC	24 V DC
Nominal power	7 W	7 W	11 W	11 W
Nominal current	0.6 A	0.3 A	1.1 A	0.55 A
Dimensions (L x W x H)	200 x 62 x 37 mm		300 x 62 x 37 mm	
Light intensity	400 lm		900 lm	